

# P12 PWM PST RGB



120 mm RGB PWM Fan with Cable Splitter

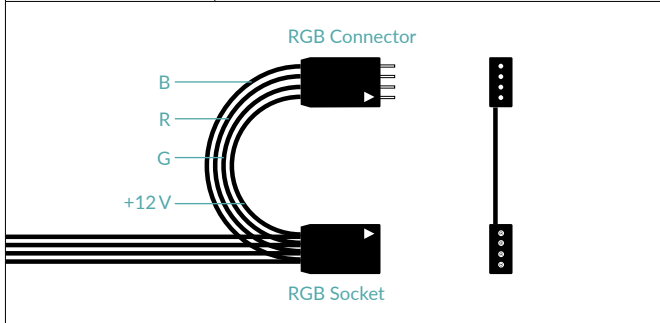


## General Specifications

Dimensions	120 (L) x 120 (W) x 25 (H) mm
Weight	131 g

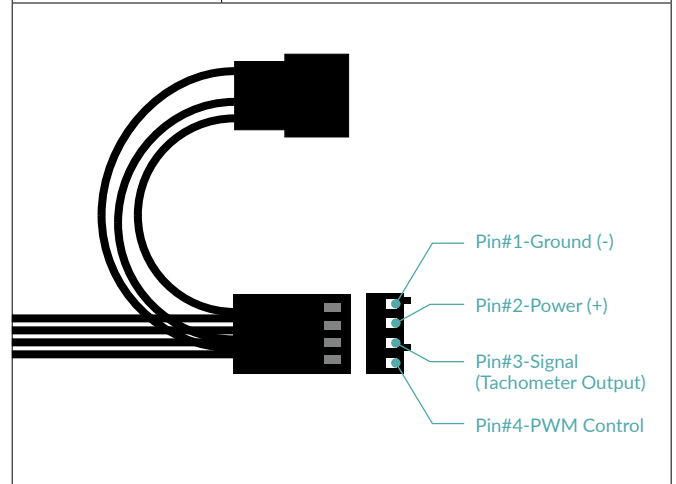
## RGB Specifications

Number of LEDs	12
Cable Length	40 + 8 cm
Connector	4-Pin 12 V-G-R-B Connector + 4-Pin Socket
Current   Voltage	0.2 A   12 V DC



## Fan Specifications

Speed	0-2000 rpm
rpm Control	Pulse Width Modulation
Static Pressure	48.8 cfm   82.91 m³/h
Airflow	1.85 mmH <sub>2</sub> O
Bearing	Fluid Dynamic Bearing
Cable Length	40 + 8 cm
Connector	4-Pin Connector + 4-Pin Socket
Current   Voltage	0.11 A   12 V DC



## Shipping Information Single Fan - Black

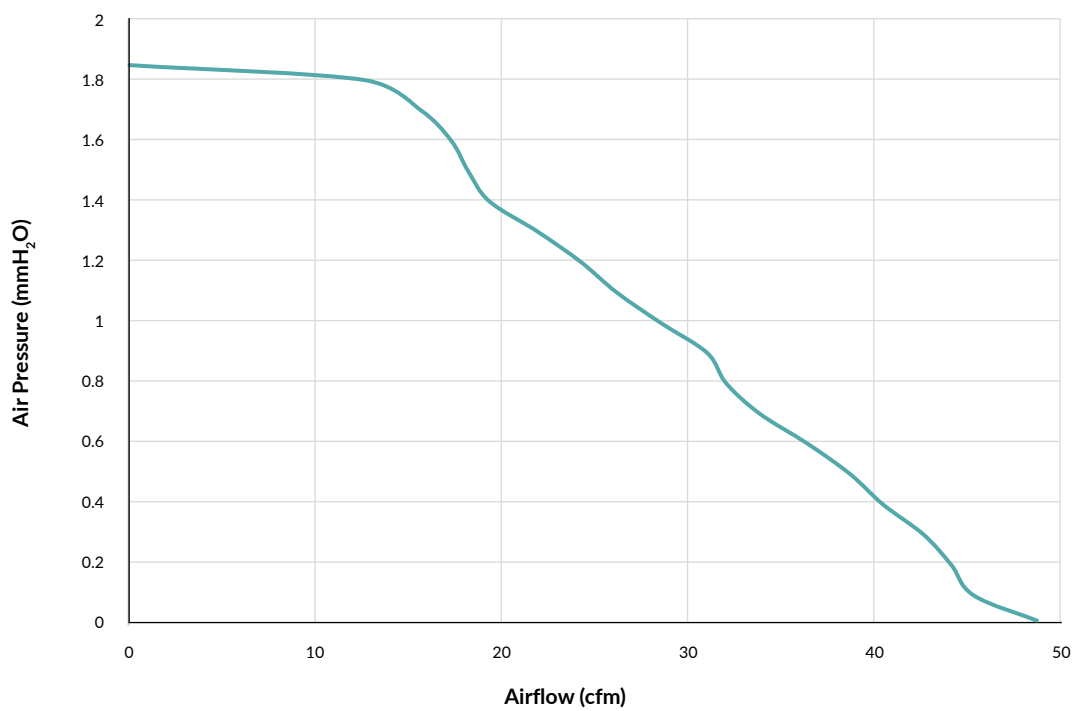
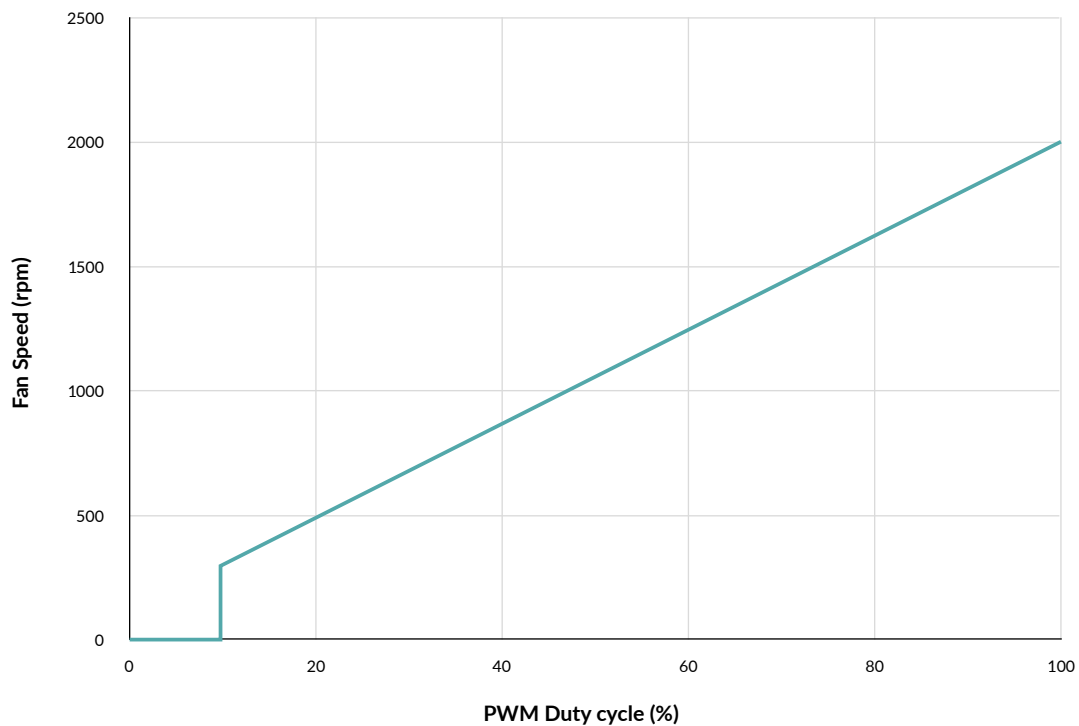
Box Dimensions	127 (L) x 125 (W) x 30 (H) mm
Gross Weight	159 g
SKU	ACFAN00186A
EAN	4895213703147
UPC	840033400947
Box Content	P12 PWM PST RGB x1 Mounting Screws x4

## Shipping Information 3 pc Value Pack - Black

Box Dimensions	127 (L) x 125 (W) x 103 (H) mm
Gross Weight	550 g
SKU	ACFAN00230A
EAN	4895213703253
UPC	840033401067
Box Content	P12 PWM PST RGB x3 Mounting Screws x12

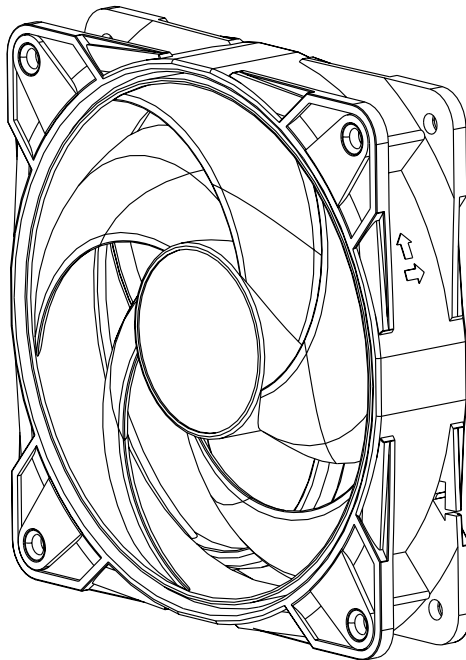
# P12 PWM PST RGB

120 mm RGB PWM Fan with Cable Splitter

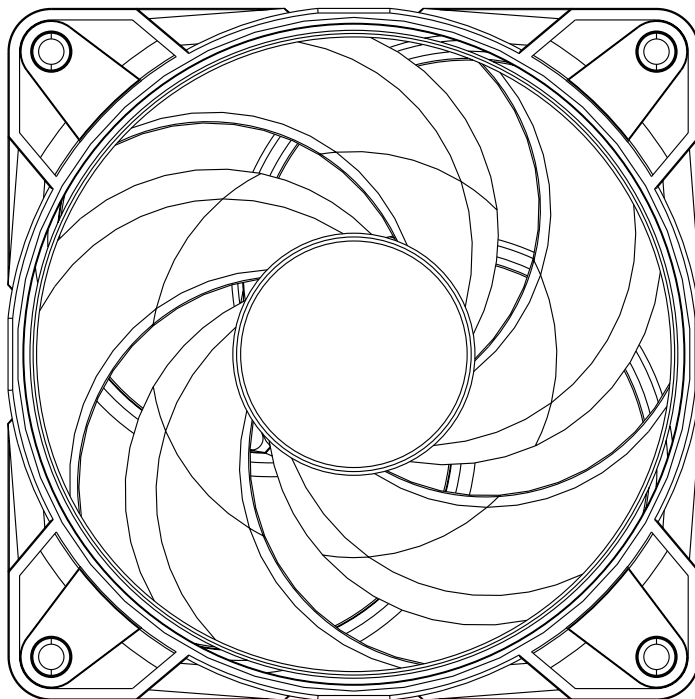


# P12 PWM PST RGB

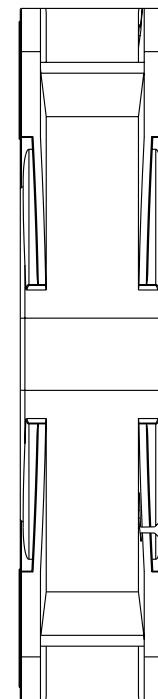
120 mm RGB PWM Fan with Cable Splitter



← 120 mm →



← 25 mm →

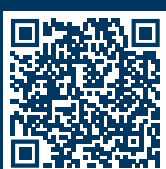


120 mm



All materials are compatible with RoHS requirements.

MORE INFORMATION



MANUALS

