

Z2 Basic

Desk Mount Dual Monitor Arm



General Specifications

Supported Screen Size	≤ 32"/≤ 25" Ultrawide Monitor
Max. Monitor Width*	685 mm
VESA Standard	VESA 75 (75x75) VESA 100 (100x100)
Maximum Monitor Weight	15 kg 33 lbs
Rotation	360°
Swivel	180°
Tilt	+90°/-45°
Material	Steel, Aluminum Alloy ADC12
Weight	3 kg
Colour	Black
Tabletop Thickness**	20 to 60 mm

*This specification applies when using two monitors of equal width and in horizontal orientation.

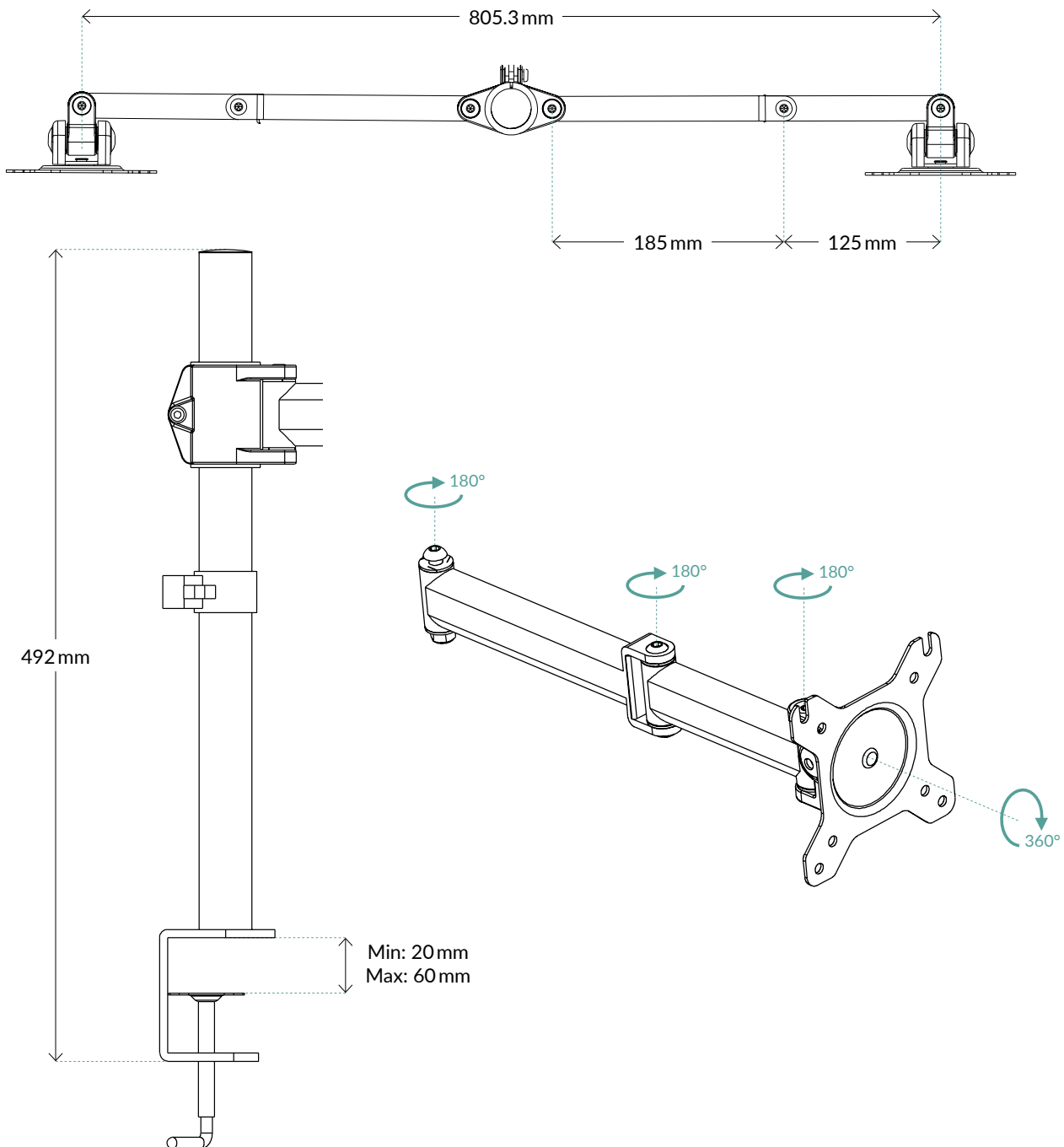
**For desks using a Honeycomb-structure or Sandwich-structure with hollow pockets, we recommend adding a stiffening board to prevent clamp damage on the tabletop.

Shipping Information

Box Dimensions	420 (L) x 215 (W) x 80 (H) mm
Gross Weight	3750 g
SKU	AEMNT00040A
EAN	4895213700948
UPC	872767008793
Package Content	Z2 Basic x1 Installation Kit x1

Z2 Basic

Desk Mount Dual Monitor Arm



All materials are compatible with RoHS requirements.

MORE INFORMATION



MANUALS

