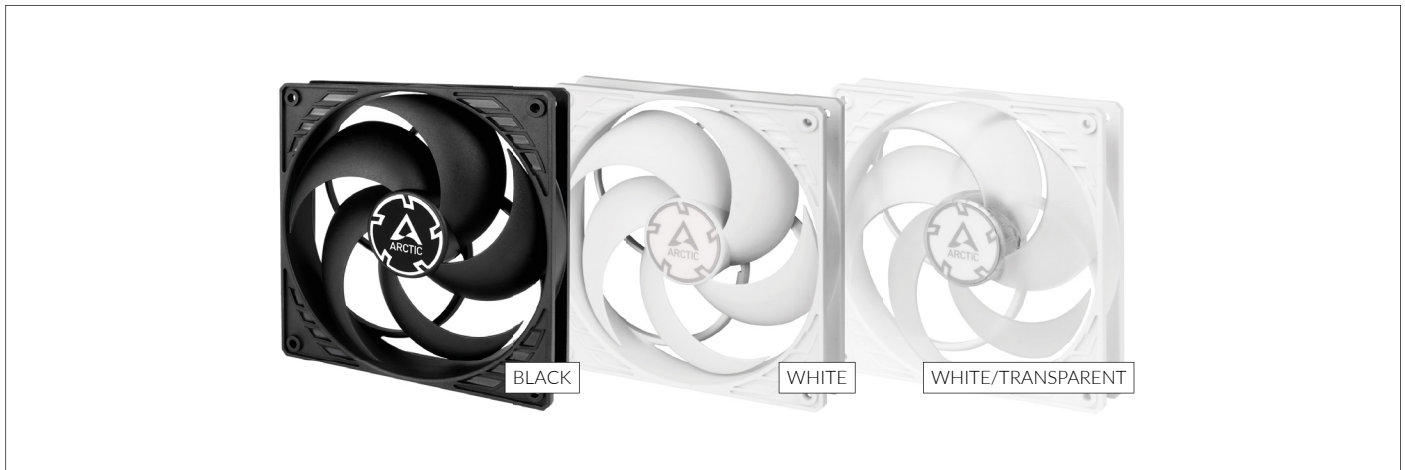


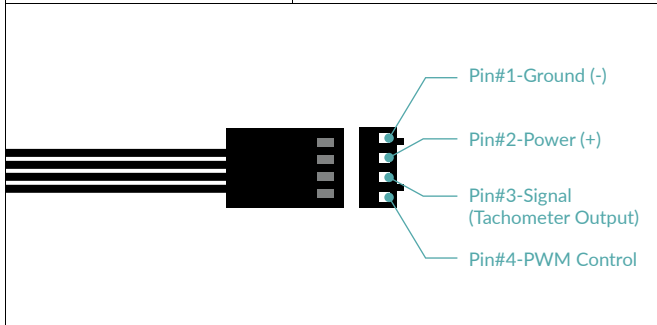
P14 PWM

140 mm PWM Case Fan



Fan Specifications

Dimensions	140 (L) x 140 (W) x 27 (H) mm
Weight	194 g
Speed	200-1700 rpm, 0 rpm <5% PWM
rpm Control	Pulsweitenmodulation - PWM
Static Pressure	2.4 mm H ₂ O
Airflow	72.8 cfm 123.8 m ³ /h
Bearing	Fluid Dynamic Bearing
Cable Length	400 mm
Connector	4-Pin Connector
Current/Voltage	0,12 A/12 V
Starting Voltage	3.9 V
Noise Level	0.3 Sone
Ambient Operating Temperature	0-40 °C



Shipping Information Single Fan - Black

Dimensions	143 (L) x 143 (W) x 29 (H) mm
Weight	233 g
SKU	ACFAN00124A
EAN	4895213701556
UPC	872767009493
Package Content	P14 PWM x1 Mounting Screws x4

Shipping Information Single Fan - White

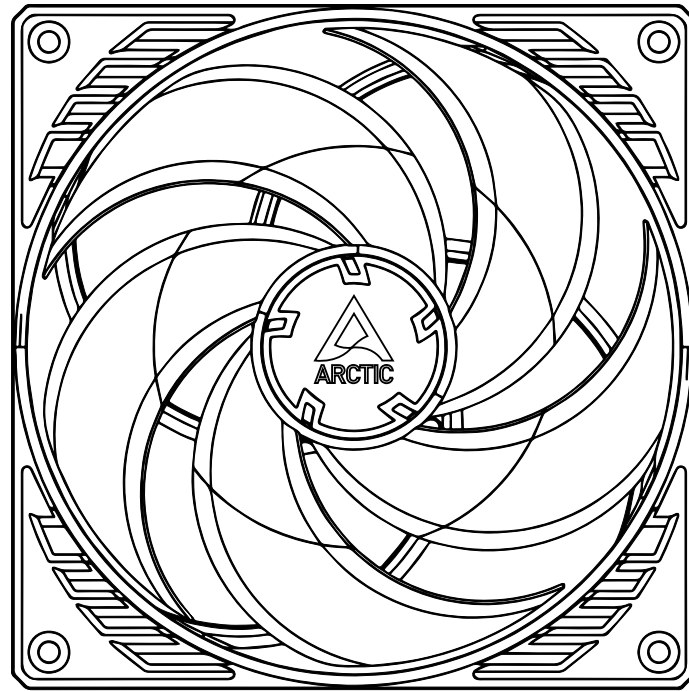
Dimensions	143 (L) x 143 (W) x 29 (H) mm
Weight	233 g
SKU	ACFAN00222A
EAN	4895213703093
UPC	840033400893
Package Content	P14 PWM x1 Mounting Screws x4

Shipping Information Single Fan - White/Transparent

Dimensions	143 (L) x 143 (W) x 29 (H) mm
Weight	233 g
SKU	ACFAN00223A
EAN	4895213703109
UPC	840033400909
Package Content	P14 PWM x1 Mounting Screws x4

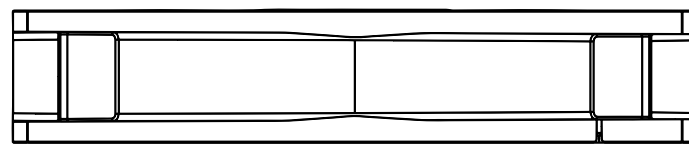
P14 PWM

140 mm PWM Case Fan



140 mm

140 mm



27 mm

All materials are compatible with RoHS requirements



Product Information



Manual