

Z3 Basic

Desk Mount Monitor Arms

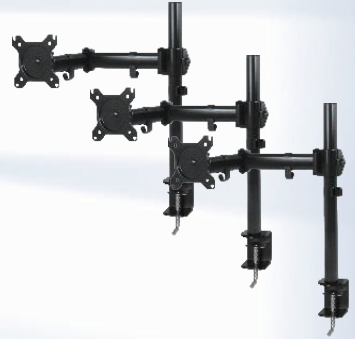
- Enables working with two additional monitors
- Easy installation
- Ergonomic seating position
- Cable management frees your desk



Z3 Basic

Desk Mount Monitor Arms

The **Z3 Basic** monitor arms provide you a new sense of work at your screen. Thanks to the easy installation and the cable management you will win a lot of space on your table. Concurrent your ergonomic seating position is improved through ideal alignment according to your individual eye level. A must-have for every desk!



| Specifications | |
|------------------------------|--|
| Material | Steel |
| Number of Mountable Monitors | 3 |
| Screen Size | up to 34" up to 38" (Ultrawide Monitor) |
| Maximum Load | 15 kg per Mount |
| VESA Standard | 75 x 75/100 x 100 |
| Rotation | 360° |
| Swivel | 180° |
| Tilt | +/- 15° |
| Maximum Table Thickness | 6 cm |
| Weight | 6.3 kg |

Box Contents

Z1 Basic Arm x 3 / Pole x 3 / Table Clamp x 3 / Screw Set / User Manual

Work Efficiently

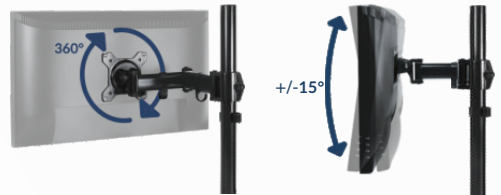
Increase Your Efficiency with Three Monitors



Increase your efficiency with the Z3 Basic monitor arms: It is often helpful to work with multiple screens at the same time to keep important applications parallel in view. The Z3 Basic extends your view and thereby simplifies not only your work, but it also allows you to work more efficiently.

More Flexibility

The Monitor Arms Allow 360° Rotation and 15° Tilt for More Flexibility



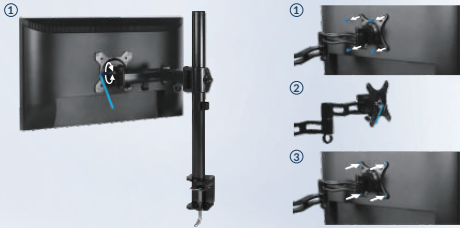
Turn your monitors horizontal in any direction in an easy and convenient way.

Z3 Basic

Desk Mount Monitor Arms

Adjustment without Removing the Monitor

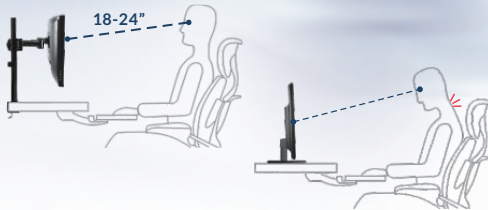
Adjustment without Removing the Monitor



With the Z3 Basic mounting head, tighten or loosen the swivel per your need in just a few seconds. No need to take the monitor down.

Ergonomic Seating Position

Vertical Adjustment to Your Eye Level Improves Ergonomics



Pay attention to your health, also in the office. So the Z3 Basic improve your ergonomic seating position through ideal alignment according to your individual eye level.

Quick and Easy Installation

Quick and Easy Installation of the Monitor Arms



The monitor arms can be mounted on most surfaces with the sturdy and adjustable clamp which fits the edge of your desk in various thicknesses.

Cable Management

The Difference with and without Cable Management



With cable management

Without cable management