

F8 PWM PST

BLACK

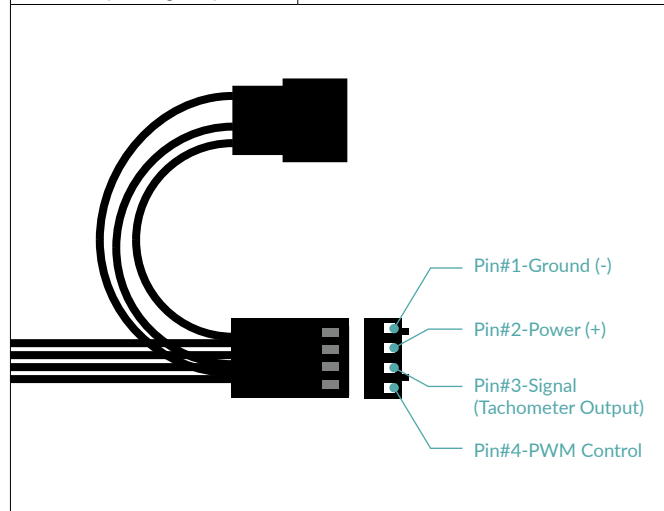


80 mm PWM PST Case Fan



Fan Specifications

Dimensions	80 (L) x 80 (W) x 25 (H) mm
Weight	72 g
Speed	300-2000 rpm
rpm Control	Pulsweitenmodulation - PWM
Control Type	PST
Static Pressure	1.0 mm H ₂ O
Airflow	31 cfm 52.7 m ³ /h
Bearing	Fluid Dynamic Bearing
Cable Length	400 mm
Connector	4-Pin Connector + 4-Pin Socket
Current/Voltage	0.14 A/12 V
Starting Voltage	5.5 V
Noise Level	0.3 Sone
Ambient Operating Temperature	0-40 °C



Shipping Information Single Fan - Black

Dimensions	82.5 (L) x 82.5 (W) x 26 (H) mm
Weight	91 g
SKU	ACFAN00204A
EAN	4895213702867
UPC	840033400664
Package Content	F8 PWM PST x1 Mounting Screws x4

Shipping Information Pack of 5 Value Pack - Black

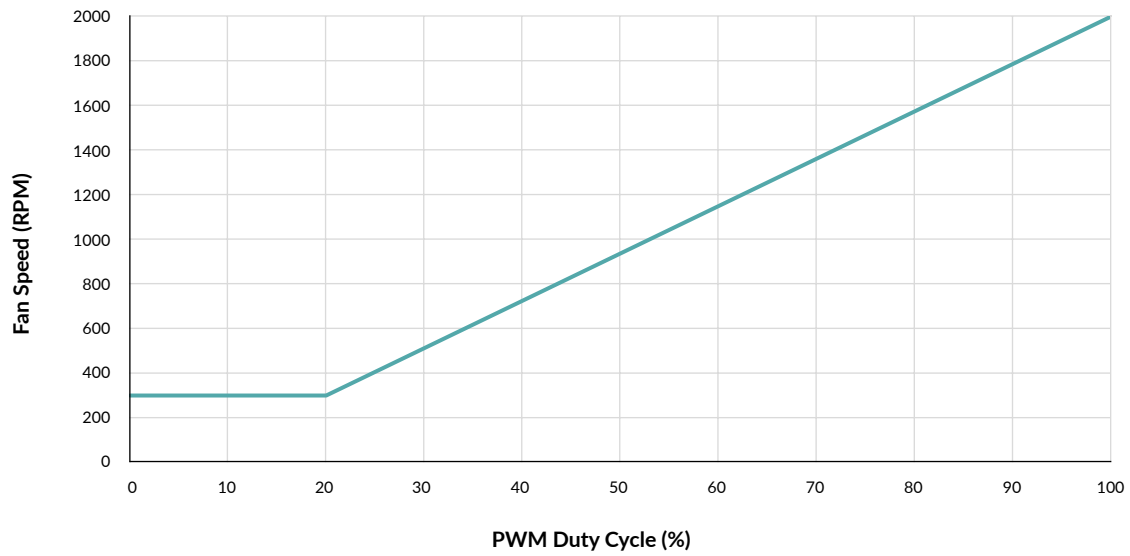
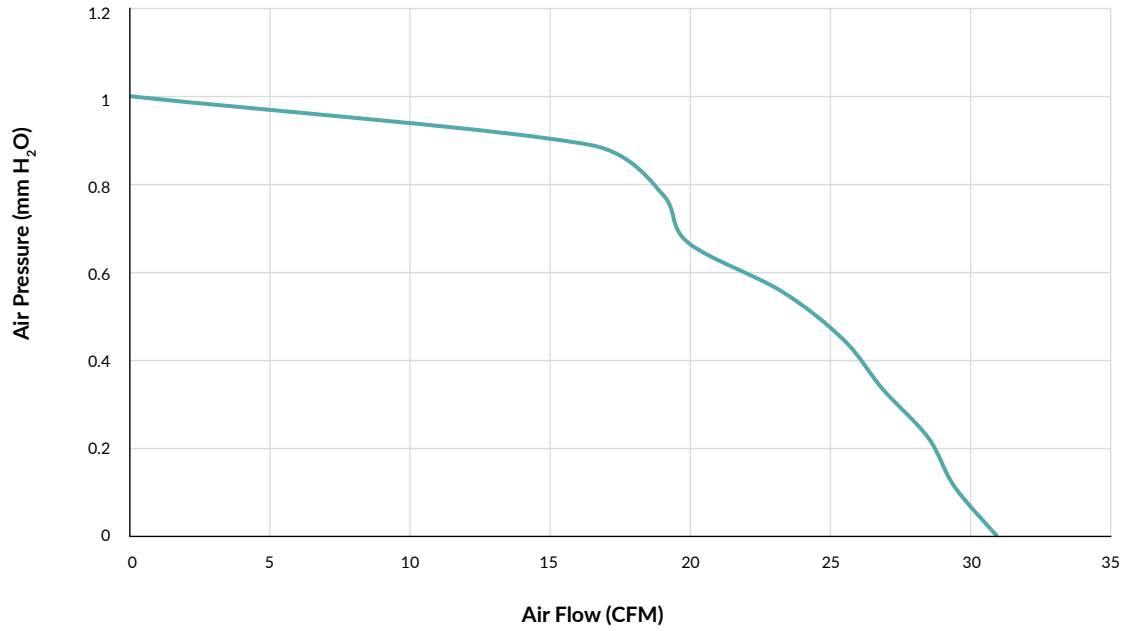
Dimensions	128 (L) x 91 (W) x 86 (H) mm
Weight	426 g
SKU	ACFAN00261A
EAN	4895213703574
UPC	840033401388
Package Content	F8 PWM PST x5 Mounting Screws x20

F8 PWM PST

BLACK



80 mm PWM PST Case Fan

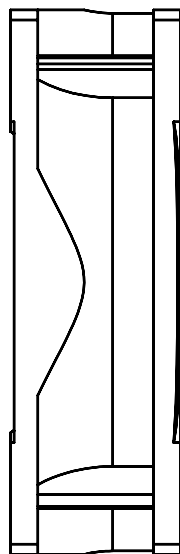
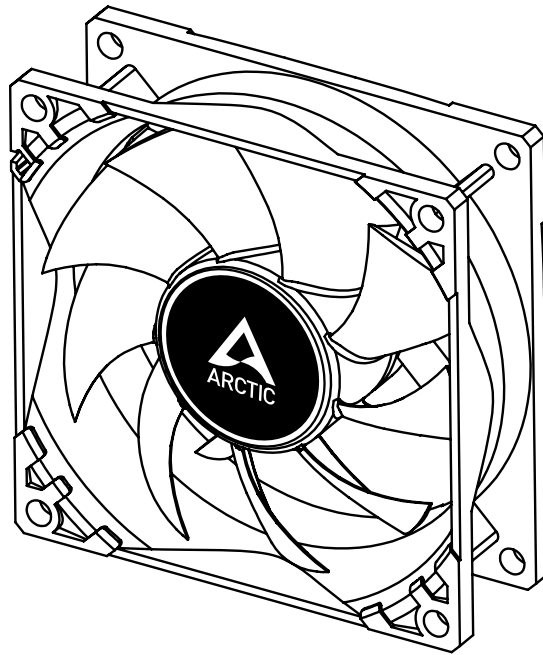


F8 PWM PST

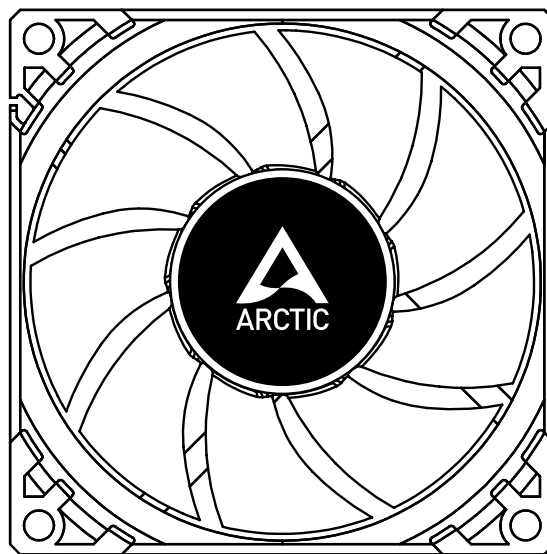
BLACK



80 mm PWM PST Case Fan



← 25 mm →



← 80 mm →



80 mm

All materials are compatible with RoHS requirements



Product Information



Manual