

Z2 Pro (Gen 3)

Dual Monitor Arm with SuperSpeed USB Hub



General Specifications

Supported Screen Size	≤ 34"/≤ 35" Ultrawide Monitor
VESA Standard	VESA 75 (75x75) VESA 100 (100x100)
Max. Monitor Width*	880 mm
Maximum Monitor Weight	15 kg 33 lbs
Rotation	360°
Swivel	180°
Tilt	+/-15°
Material	Steel, Aluminum Alloy ADC12
Weight	4 kg
Colour	Matt Black
Tabletop Thickness**	20 to 65 mm

*This specification applies when using two monitors of equal width and in horizontal orientation.

**For desks using a Honeycomb-structure or Sandwich-structure with hollow pockets, we recommend adding a stiffening board to prevent clamp damage on the tabletop.

USB Hub

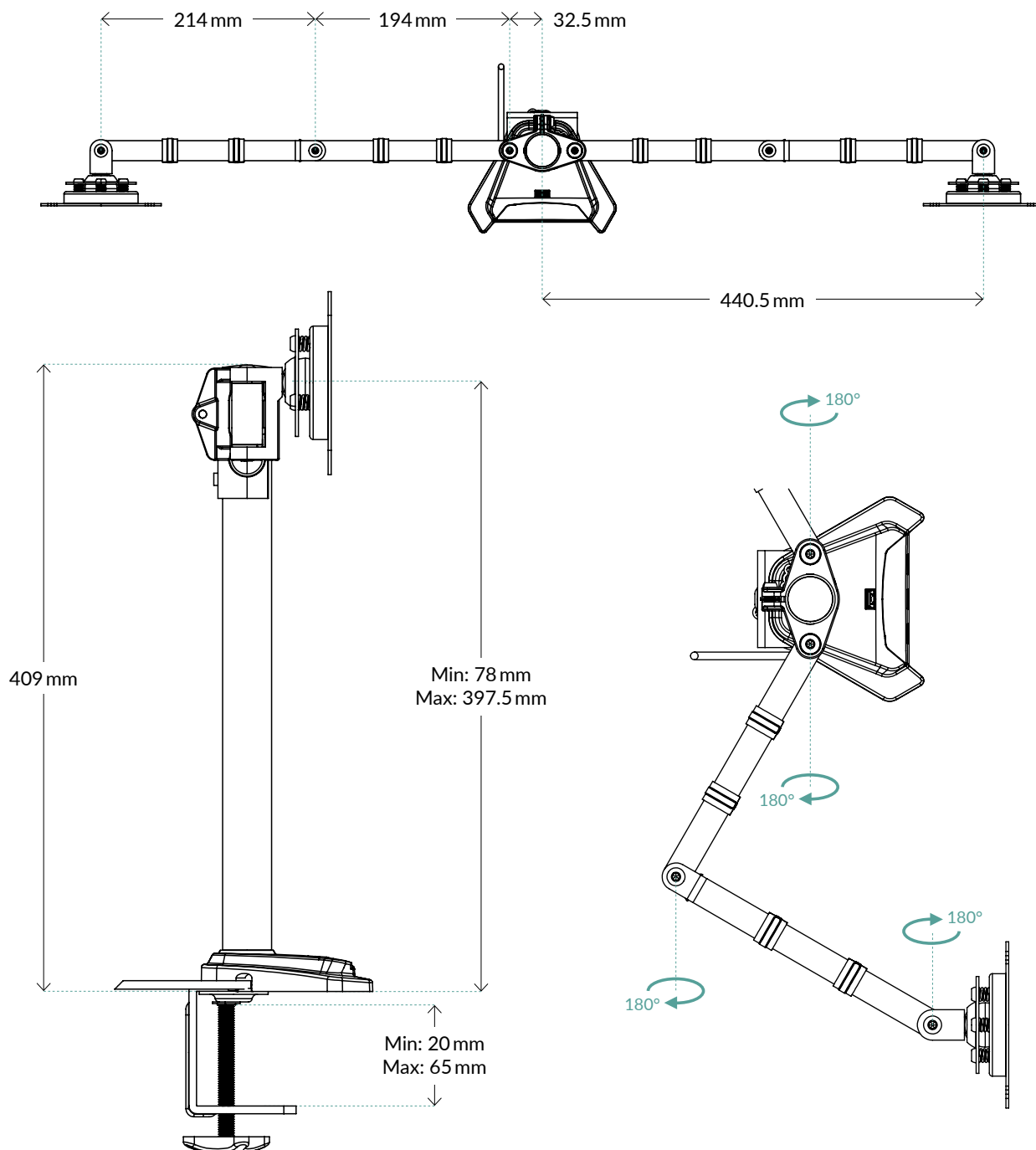
Ports	4x USB 3.2 Gen 1, 1x DC Power Jack Input
Power Output	Without Power Supply: 5 V DC 900 mA Port, Max. 900 mA With Power Supply: 5 V DC 900 mA Port, Max. 2900 mA
Compatibility	Windows, macOS, Linux
Cable Length	2 m

Shipping Information

Box Dimensions	430 (L) x 243 (W) x 145 (H) mm
Gross Weight	4810 g
SKU	AEMNT00050A
EAN	4895213701761
UPC	872767009691
Package Content	Z2 Pro (Gen3) x1 Installation Kit x1

Z2 Pro (Gen 3)

Dual Monitor Arm with SuperSpeed USB Hub



All materials are compatible with RoHS requirements.

MORE INFORMATION



MANUALS

