

Alpine 17 LP

Low Profile CPU Cooler for Intel®



General Specifications

Compatibility	Intel® 1700
Heatsink	Radial Heatsink
TIM	MX-4 Pre-applied
Noise Level	0.5 Sone
Warranty	6 Years
Dimensions	95 (L) x 95 (W) x 55.45 (H) mm
Installation Height	42.9 mm
Weight	183.5 g

Fan Specifications

Speed	300–3000 rpm
Fan Diameter	88 mm
Speed Control	Pulse Width Modulation – PWM
Connector	4-Pin PWM-Fan-Connector
Bearing	Fluid Dynamic Bearing
Current/Voltage	0.18 A 12 V DC
Cable	200 mm, black

Heatsink Specifications

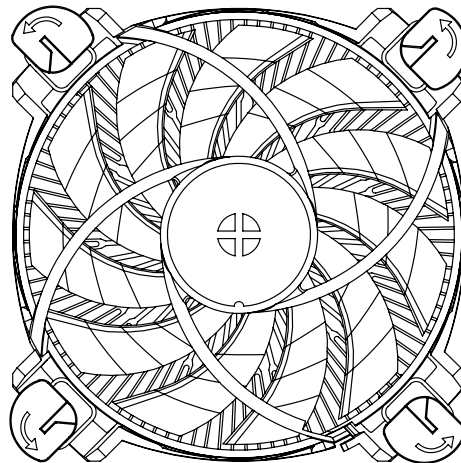
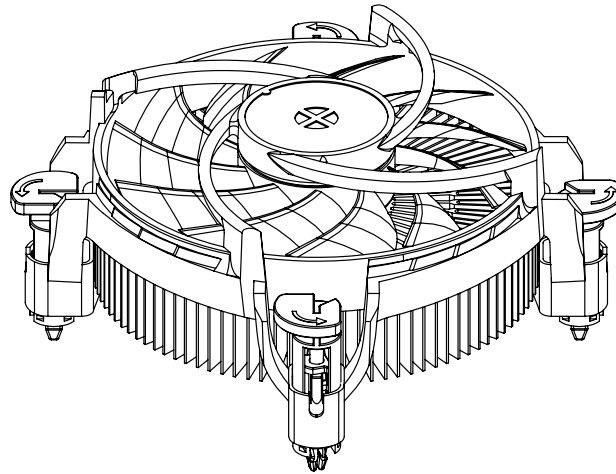
Height	22.6 mm
Diameter	93.6 mm
Material	Aluminum

Shipping Information

Box Dimensions	99 (L) x 99 (W) x 61 (H) mm
Gross Weight	261 g
SKU	ACALP00042A
EAN	4895213704052
UPC	840033401869

Alpine 17 LP

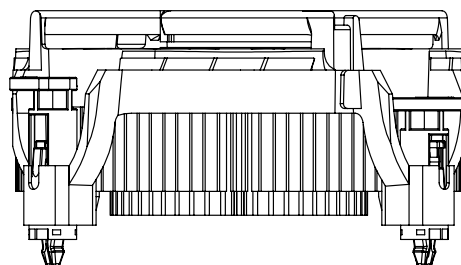
Low Profile CPU Cooler for Intel®



95 mm



95 mm



42.9 mm

55.45 mm



All materials are compatible with RoHS requirements.

MORE INFORMATION



MANUALS

