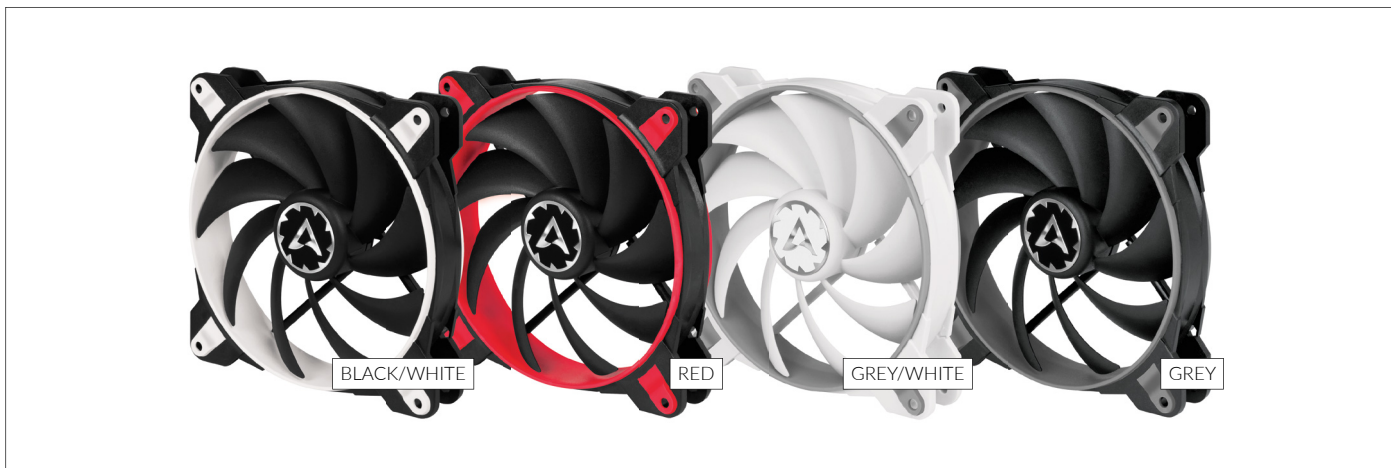


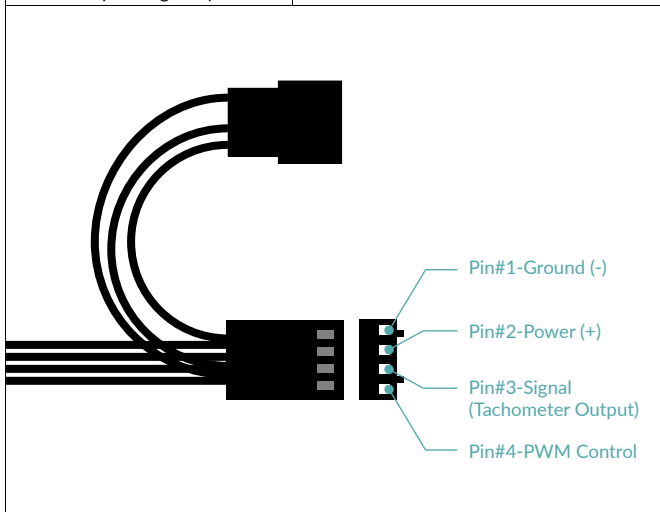
# BioniX F140

140 mm Gaming Fan with PWM PST



## Fan Specifications

Dimensions	140 (L) x 140 (W) x 28 (H) mm
Weight	184 g
Speed	200-1800 rpm, 0 rpm <5% PWM
rpm Control	Pulsweitenmodulation - PWM
Static Pressure	2.35 mm H <sub>2</sub> O
Airflow	104 cfm   176 m <sup>3</sup> /h
Bearing	Fluid Dynamic Bearing
Cable Length	400 mm
Connector	4-Pin Connector + 4-Pin Socket
Current/Voltage	0.20 A/12 V
Starting Voltage	4.8 V
Noise Level	0.6 Sone
Ambient Operating Temperature	0-40 °C



## Shipping Information Single Fan - Black/White

Dimensions	150 (L) x 151 (W) x 35 (H) mm
Weight	229 g
SKU	ACFAN00096A
EAN	4895213700214
UPC	872767009127
Package Content	BioniX F140 x1 Mounting Screws x4

## Shipping Information Single Fan - Red

Dimensions	150 (L) x 151 (W) x 35 (H) mm
Weight	229 g
SKU	ACFAN00095A
EAN	4895213700184
UPC	872767009097
Package Content	BioniX F140 x1 Mounting Screws x4

## Shipping Information Single Fan - Grey/White

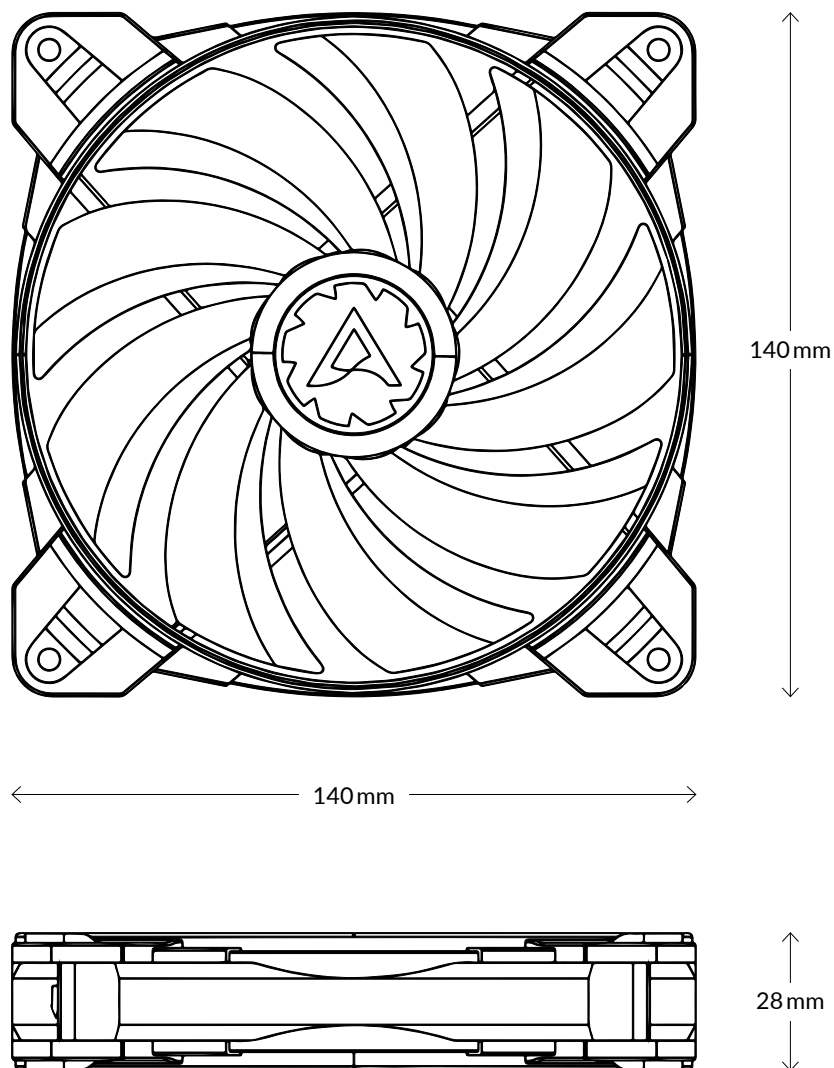
Dimensions	150 (L) x 151 (W) x 35 (H) mm
Weight	229 g
SKU	ACFAN00162A
EAN	4895213702348
UPC	840033400237
Package Content	BioniX F140 x1 Mounting Screws x4

## Shipping Information Single Fan - Grey

Dimensions	150 (L) x 151 (W) x 35 (H) mm
Weight	229 g
SKU	ACFAN00161A
EAN	4895213702362
UPC	840033400251
Package Content	BioniX F140 x1 Mounting Screws x4

# BioniX F140

140 mm Gaming Fan with PWM PST



All materials are compatible with RoHS requirements



Product Information



Manual